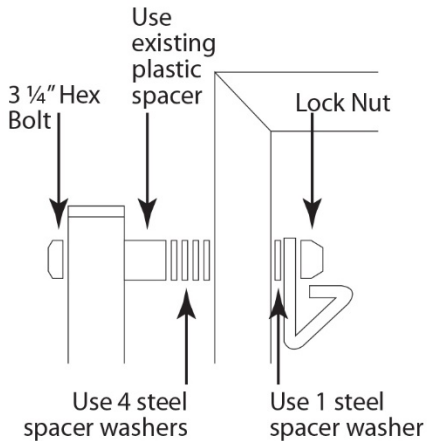


## REPLACEMENT OF SUPPORT HINGES



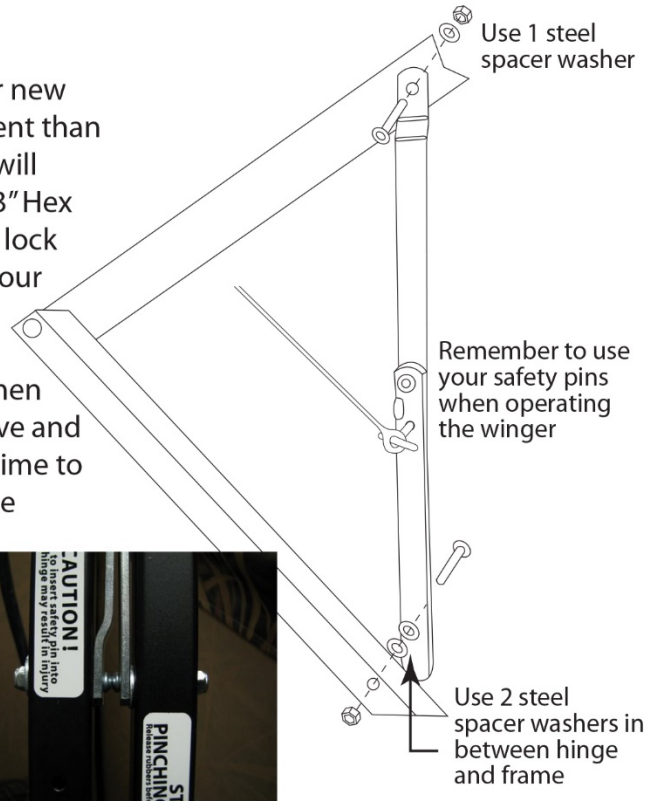
If your Zinger Winger was purchased prior to 2008 your new support hinges will be different than the original equipment. You will need to replace the original 3" Hex bolts with the new bolts and lock nuts that are included with your new hinges.

Please follow the diagram when replacing your hinges. Remove and replace each hinge one at a time to

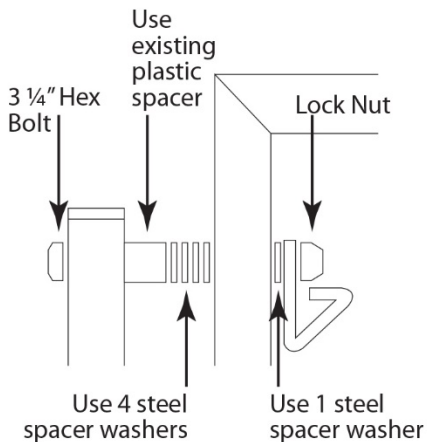
avoid mixing up the left for the right. Please note the way the hinges are mounted and follow the same format when replacing.

If you need assistance call our service center at 1-905-876-0603.

The new hinge kit comes with the following: Left and Right Hinge, (2) 3 1/4" Hex Bolt, (2) Lock Nuts, Washers



## REPLACEMENT OF SUPPORT HINGES



If your Zinger Winger was purchased prior to 2008 your new support hinges will be different than the original equipment. You will need to replace the original 3" Hex bolts with the new bolts and lock nuts that are included with your new hinges.

Please follow the diagram when replacing your hinges. Remove and replace each hinge one at a time to

avoid mixing up the left for the right. Please note the way the hinges are mounted and follow the same format when replacing.

If you need assistance call our service center at 1-905-876-0603.

The new hinge kit comes with the following: Left and Right Hinge, (2) 3 1/4" Hex Bolt, (2) Lock Nuts, Washers

